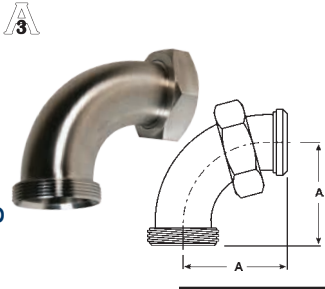


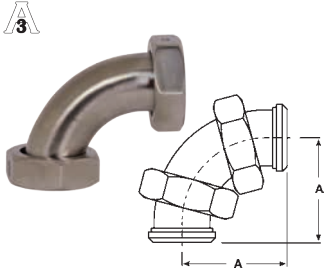
Bevel Seat Elbows

90° Threaded x Plain with Hex Nut - B2F



Tube OD	Dimension A	304 Stainless Steel Part #
1½"	2.968"	B2F-G150
2"	3.750"	B2F-G200
2½"	4.625"	B2F-G250
3"	5.406"	B2F-G300

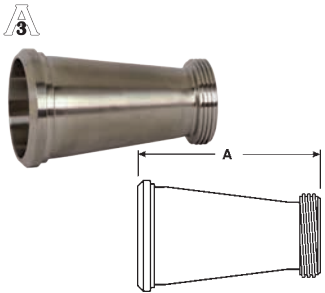
90° Plain x Plain with Hex Nut - B2E



Tube OD	Dimension A	304 Stainless Steel Part #
1½"	2.968"	B2E-G150
2"	3.750"	B2E-G200
2½"	4.625"	B2E-G250
3"	5.406"	B2E-G300

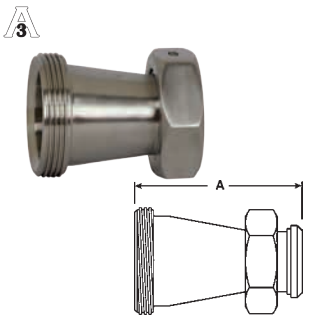
Bevel Seat Reducers

Plain x Threaded Concentric - B3115F



Tube OD	Dimension A	304 Stainless Steel Part #
2" x 1½"	3.468"	B3115F-G200150
2½" x 2"	3.625"	B3115F-G250200
3" x 2"	5.656"	B3115F-G300200
3" x 2½"	3.781"	B3115F-G300250
4" x 3"	5.937"	B3115F-G400300

Threaded x Plain with Hex Nut Concentric - B31TP



Tube OD	Dimension A	304 Stainless Steel Part #
2" x 1½"	3.468"	B31TP-G200150
2½" x 2"	3.625"	B31TP-G250200
3" x 2"	5.656"	B31TP-G300200
3" x 2½"	3.781"	B31TP-G300250
4" x 3"	5.937"	B31TP-G400300

Breakaway Coupling - Bevel Seat

Application:

- minimizes spillage and damage associated with pull away and drive away incidents

Materials:

- 316 stainless steel polished to standard $32R_a$, 3A finish
- clamp gasket: EPDM standard, optional material available

Features:

- designed to be installed between a fixed point and a hose
- 13kN break load bolts standard, other break loads available
- coupling breaks away with an excessive load
- other sizes / connections available

Specification:

- working pressure: **350 PSI @ 70°F (21°C)**



Size	316 Stainless Steel Part #
2"	SBC-E200TP13
3"	SBC-E300TP13

